

QUOTATION

Number: 20136 Date: 4/6/2012

Preparer: Sean McKnight

Name: Jeff Cook

City: Green Bay

Company: University of Wisconsin Green Bay

State: WI Zip: 54311

Address: 2420 Nicolet Drive

Telephone: 715-550-5661

Fax: _____

Shelter Style: Bike Shelter - Parachute	Shelter Size: Width: 9'	Length: 24'
Roof Style: Translucent Polycarbonate	Door Style: No Door	# of Doors: 0

	<u>Quantity</u>	<u>PER</u>	<u>Unit Price</u>	<u>Cost</u>
Walls, Roof	705.00	S.F.		\$17,751.00
All Weather Ceiling Panels <input type="checkbox"/> Yes <input checked="" type="checkbox"/> No	0.00	S.F.		
All Weather Wall Panels <input type="checkbox"/> Yes <input checked="" type="checkbox"/> No	0.00	S.F.		

OPTIONS

Surface Mounted Vertical Bike Racks (3-bike)	8	EA.	\$392.00	\$3,136.00
--	---	-----	----------	------------

*Lead time:12-16 weeks from approved drawings

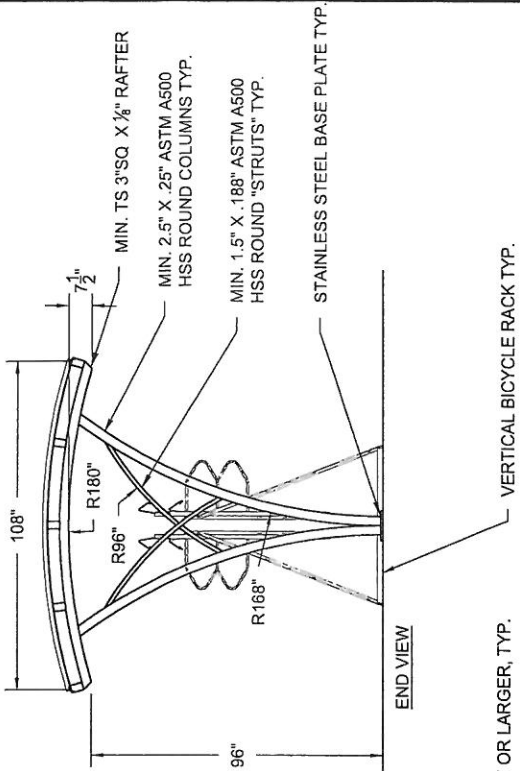
Sub Total:	<u>\$20,887.00</u>
Packaging, Handling, and Delivery (F.O.B. Canton, MI):	\$2,348.00
Number of Units:	<u>1</u>
Sub Total:	<u>\$23,235.00</u>
Sales Tax:	
Duo-Gard Installation Services:	

Grand Total: \$23,235.00

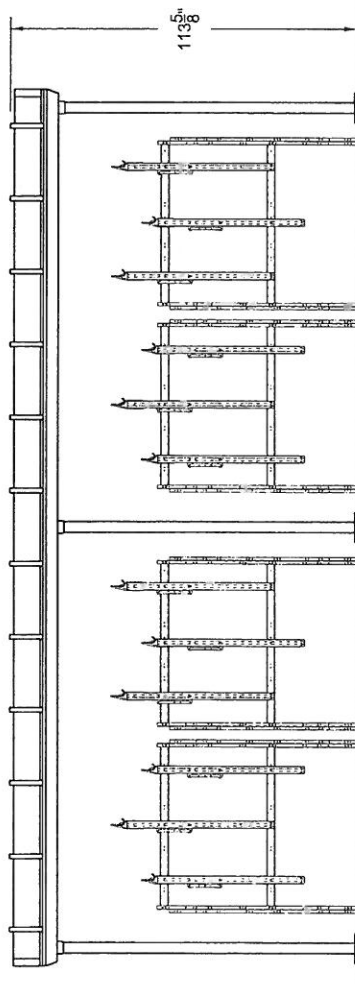
Apex style bike shelter with a translucent polycarbonate roof in clear, bronze or opal (color TBD) and steel framing in either galvanized or 3-coat epoxy finish (color from our standard tneimic chart). Stamped drawings, calculations, permits, and concrete are not included in this pricing. Shelter will arrive knocked down and require assembly. Unloading not included.

PRICES SUBJECT TO CHANGE IF NOT ACCEPTED WITHIN 30 DAYS

**There will be a MINIMUM 20% charge for all cancelled orders
 50% Deposit Required**

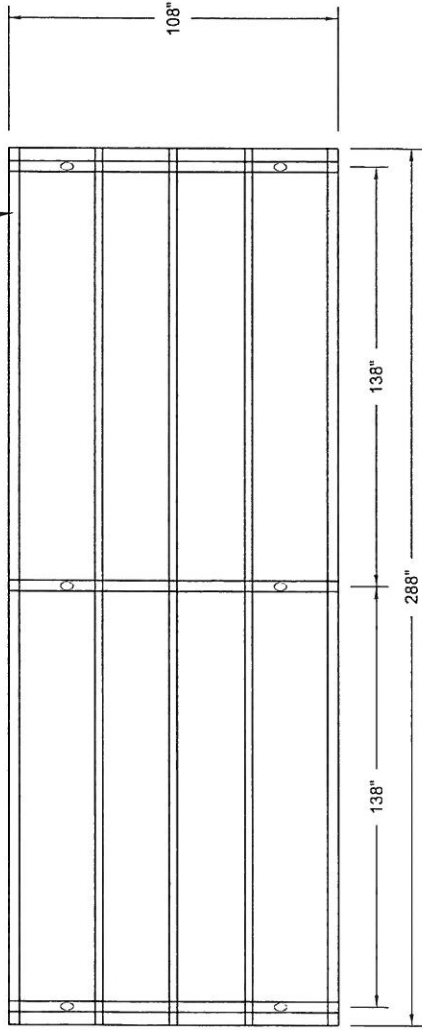


END VIEW
 VERTICAL BICYCLE RACK TYP.



FRONT VIEW

TS 2" X 3" X 3/8" PURLIN OR LARGER, TYP.



ROOF STRUCTURE PLAN VIEW

- NOTES:
- *FRAMEWORK TO BE WELDED AND MECHANICALLY FASTENED STEEL
 - *ALL FASTENERS TO BE STAINLESS STEEL
 - *ROOF GLAZING TO BE: 8MM POLYCARBONATE STRUCTURED SHEET, BATTEN SYSTEM, IN ALUMINUM TRIM. TINT: _____
 - *STEEL FINISHING: _____
 - *MEDIA BLAST PREP
 - *NEMEC TNEME ZINC 90-97 PRIMER
 - *NEMEC SERIES N69 HI-BUILD EPOXOLINE 2-PART EPOXY MIDCOAT.
 - *NEMEC SERIES 73 ENDURA-SHIELD TOPCOAT.
 - *ALUMINUM TRIM TO HAVE SAME TOP TWO COATS.
 - *COLOR: _____
 - *ALL DIMENSIONS TO BE FIELD VERIFIED

- SAMPLE DRAWING ONLY -

DUO-GARD CONSTRUCTION PRODUCTS Duo-Gard Industries, Inc. Tel (734) 207-9700 Fax (734) 207-7995 www.duo-gard.com		DESIGN IS PRELIMINARY, AND INTENDED TO COMPLY WITH SPECIFICATIONS IN ALL ASPECTS, AND PENDING CUSTOMER APPROVAL. ANY DEVIATION FROM SPECIFICATIONS IS UNINTENTIONAL AND MAY BE DISREGARDED.		PROJECT NAME UTAH STATE UNIVERSITY	
DESCRIPTION 9' X 24' "PARACHUTE" BICYCLE SHELTER - CANTILEVERED VERSION		DRW/G DATE 03/29/12	REVZ 3-30-12bdi	SCALE NTS	PAGE OF 1 1
PRJT ENG BEAV	PRJT MGR SMcK	QUOTE # 19989			